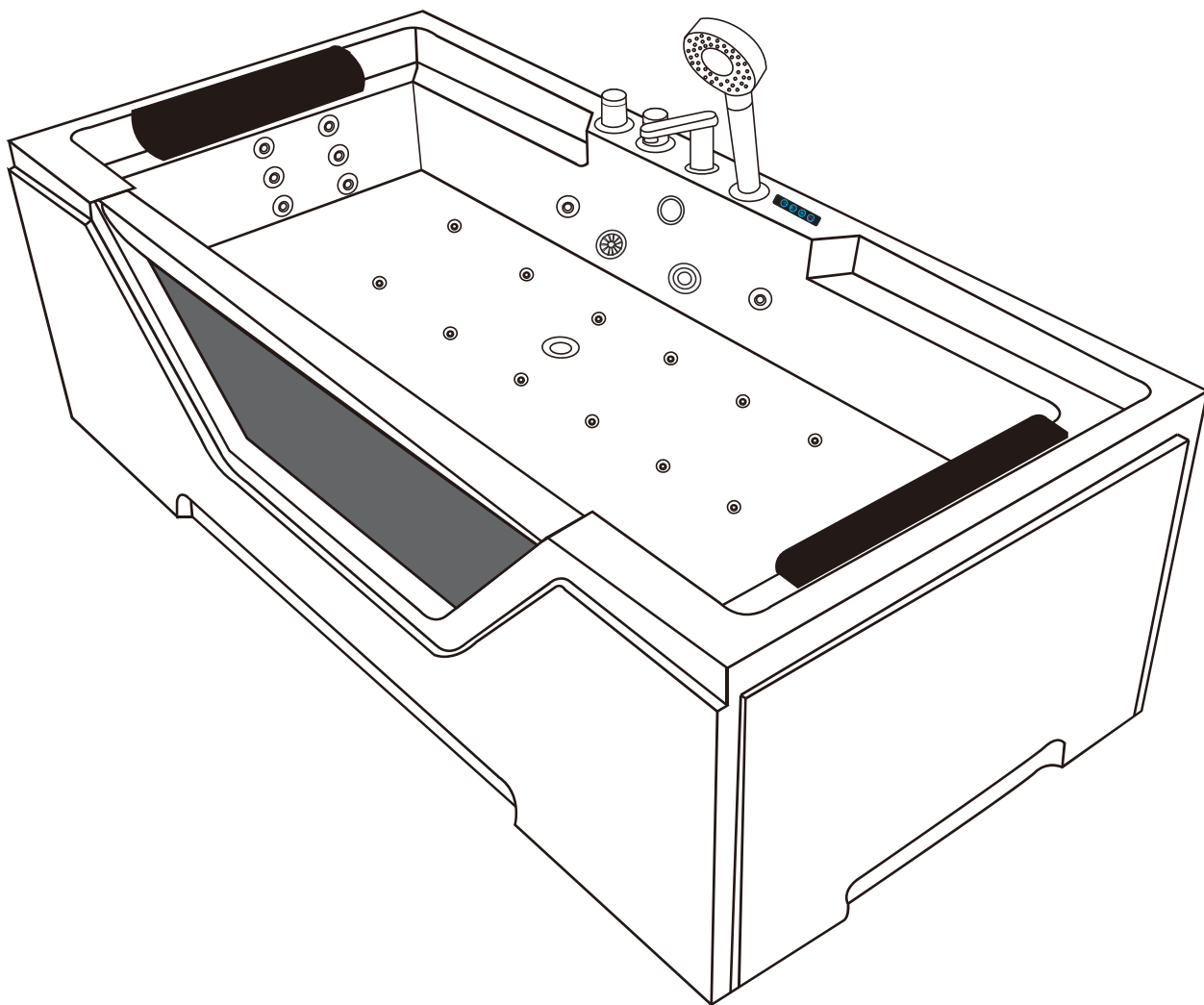




Luxury Massage Bathtub



HIDRA

1500x800x580mm

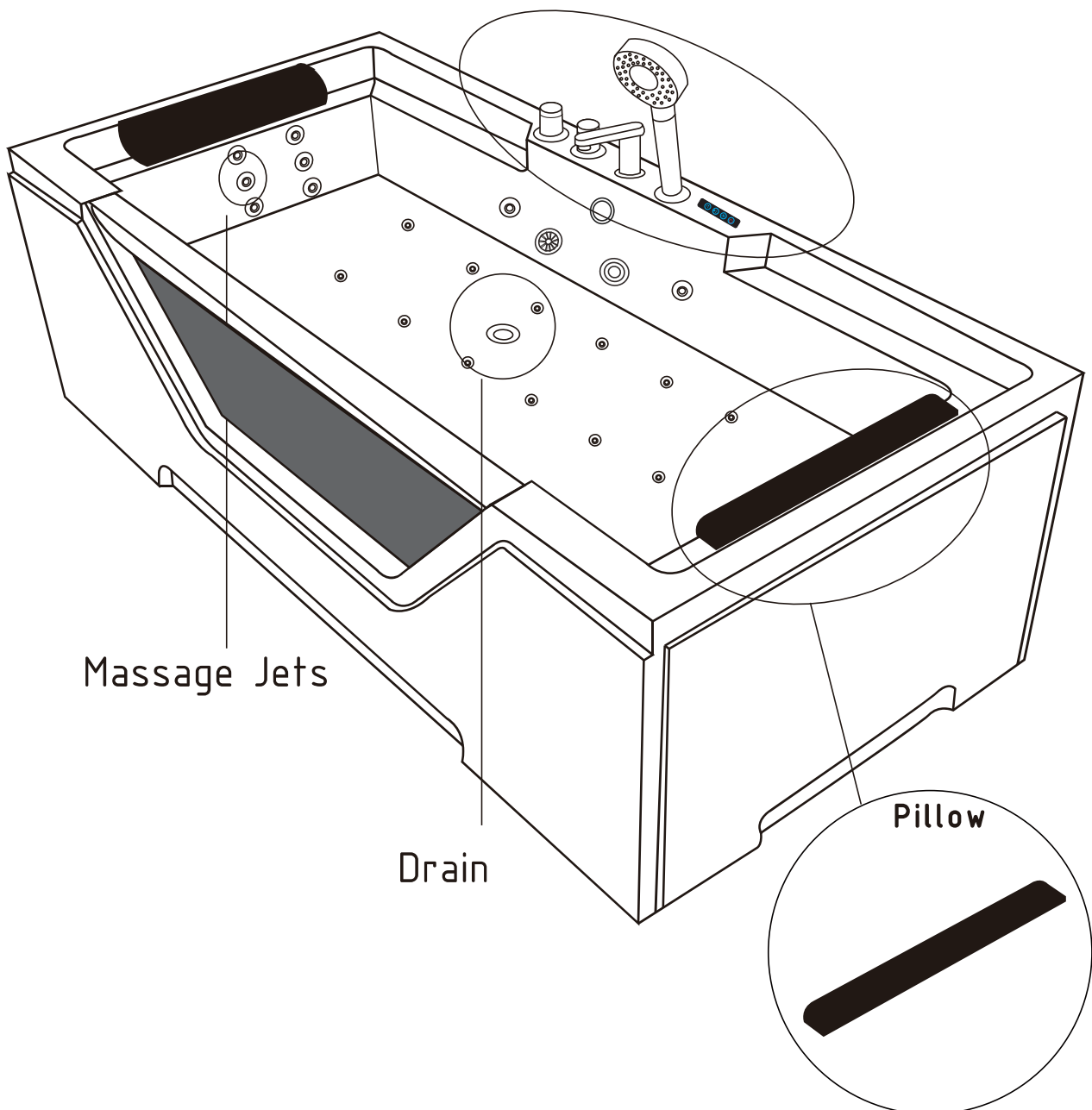
1600x800x580mm

1700x800x580mm

1800x800x580mm

Functional Introduction

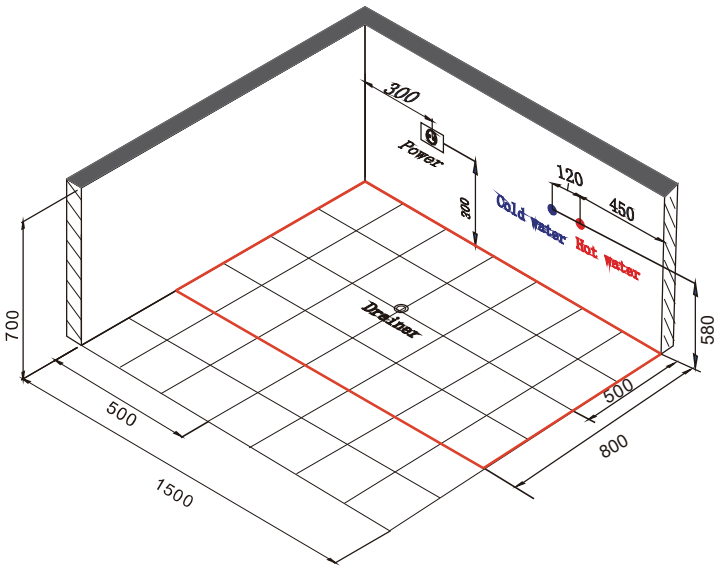
- 1.Computer panel
- 2.Switch for hand shower & faucet
- 3.Cold water
- 4.Hot water
- 5.Faucet
- 6.Hand shower



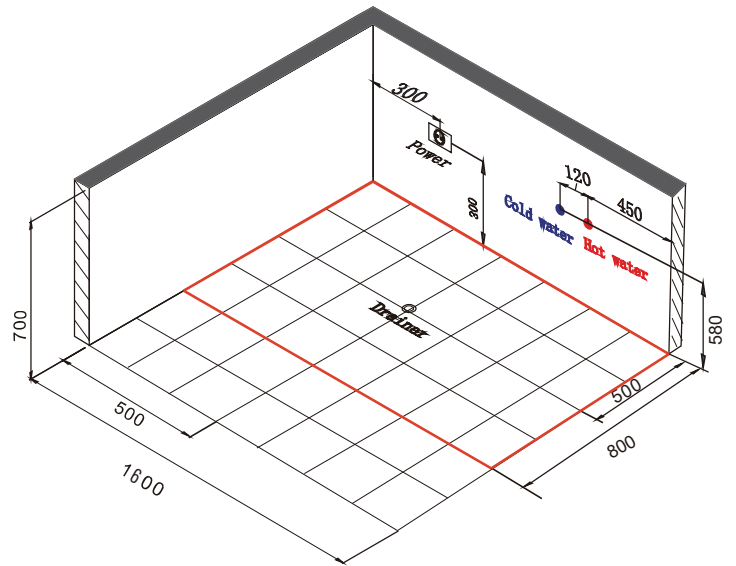
Water & Electricity Position Design

Length unit: mm

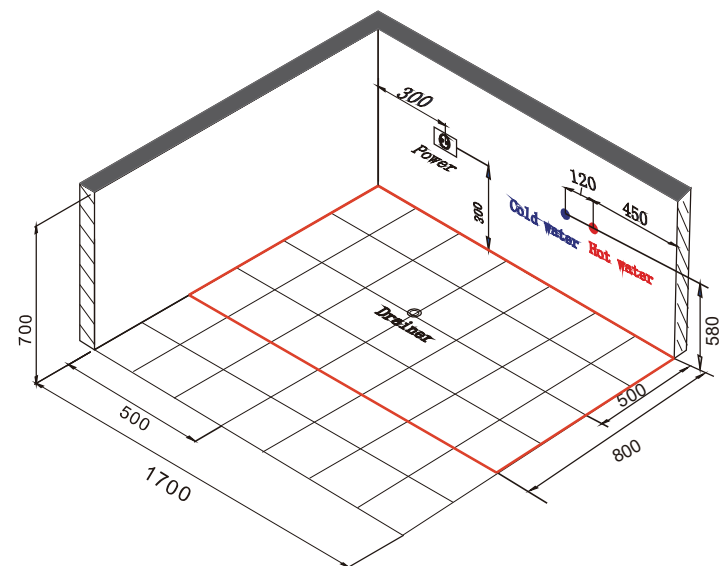
1500x800x580mm



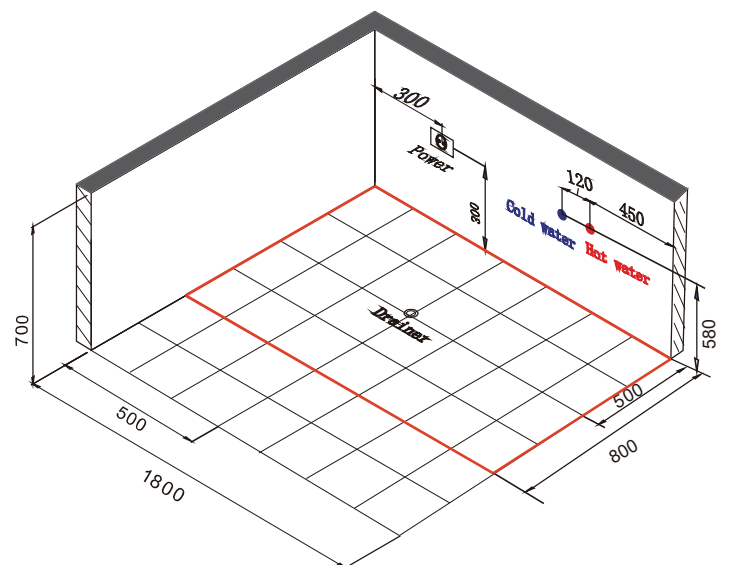
1600x800x580mm



1700x800x580mm

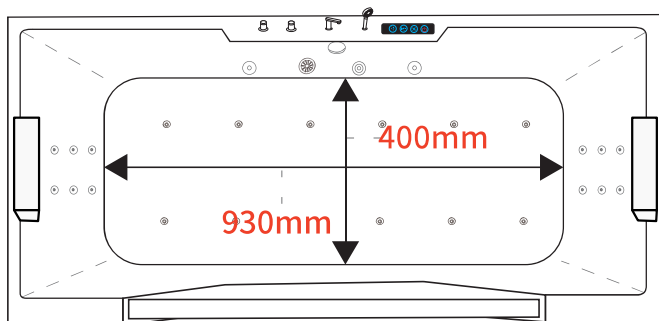


1800x800x580mm

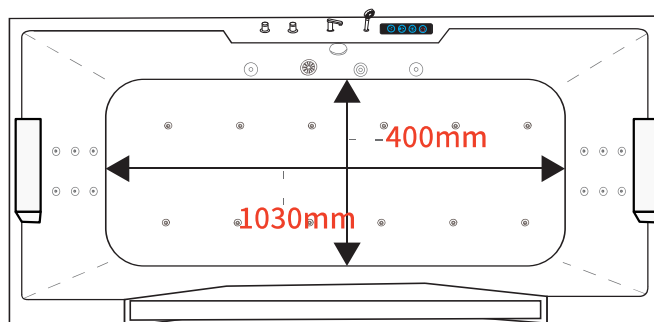


Sizes

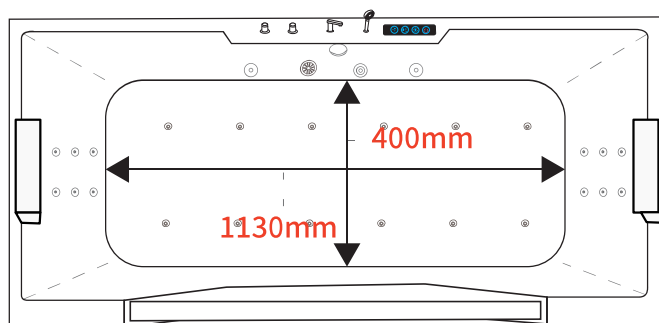
1500x800x580mm



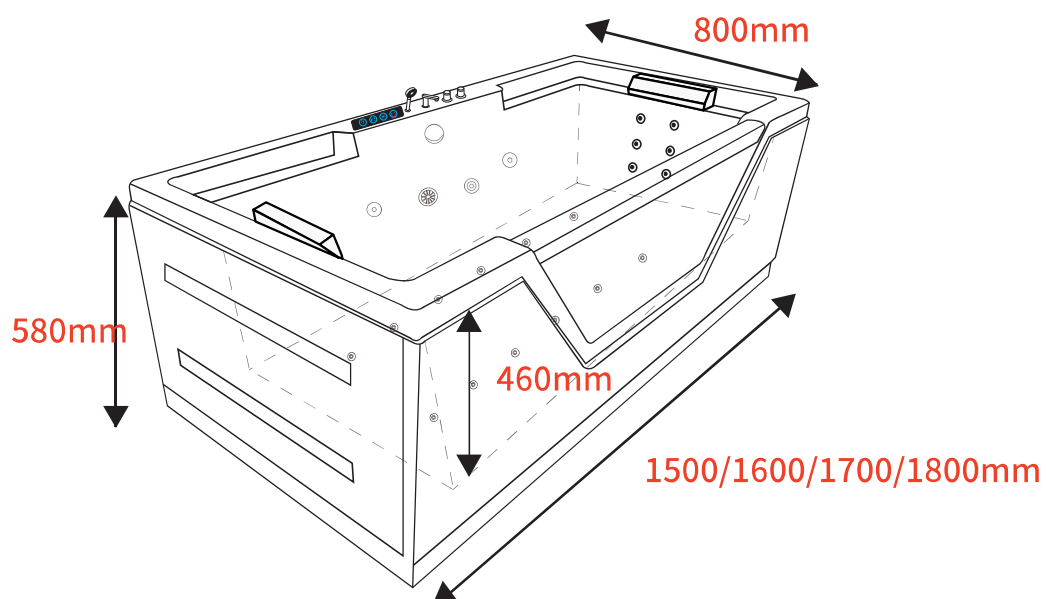
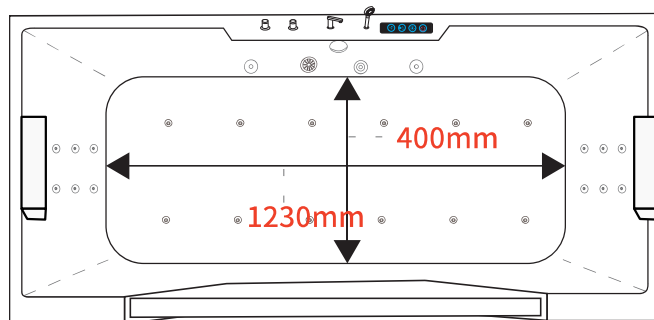
1600x800x580mm



1700x800x580mm



1800x800x580mm



Power Request

DXD PUMP

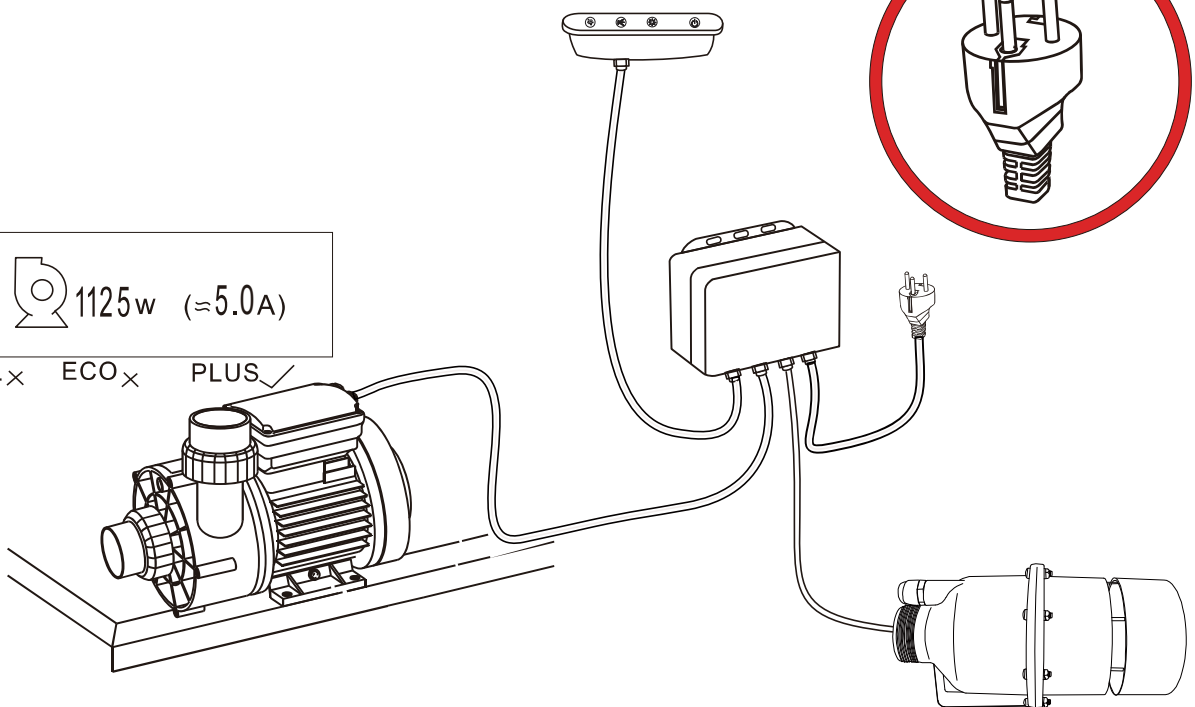
MODEL DXD-315 E AC 220-240V 50Hz 1125W CLASS F IPX5

MAX WATER TEMPERATURE 50°C 15u F/450V Hmin 1m

Ground properly!
Do Not Start Pump
Without Water!

+
1125w (≈5.0A)

VITAL ECO PLUS



DXD AIR PUMP

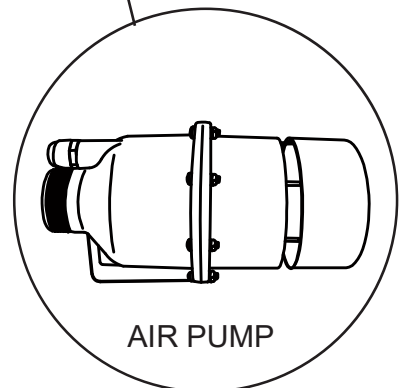
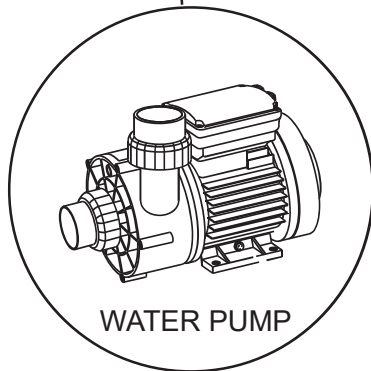
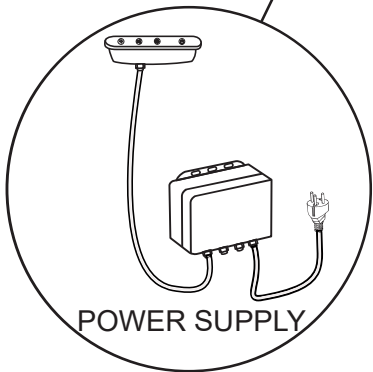
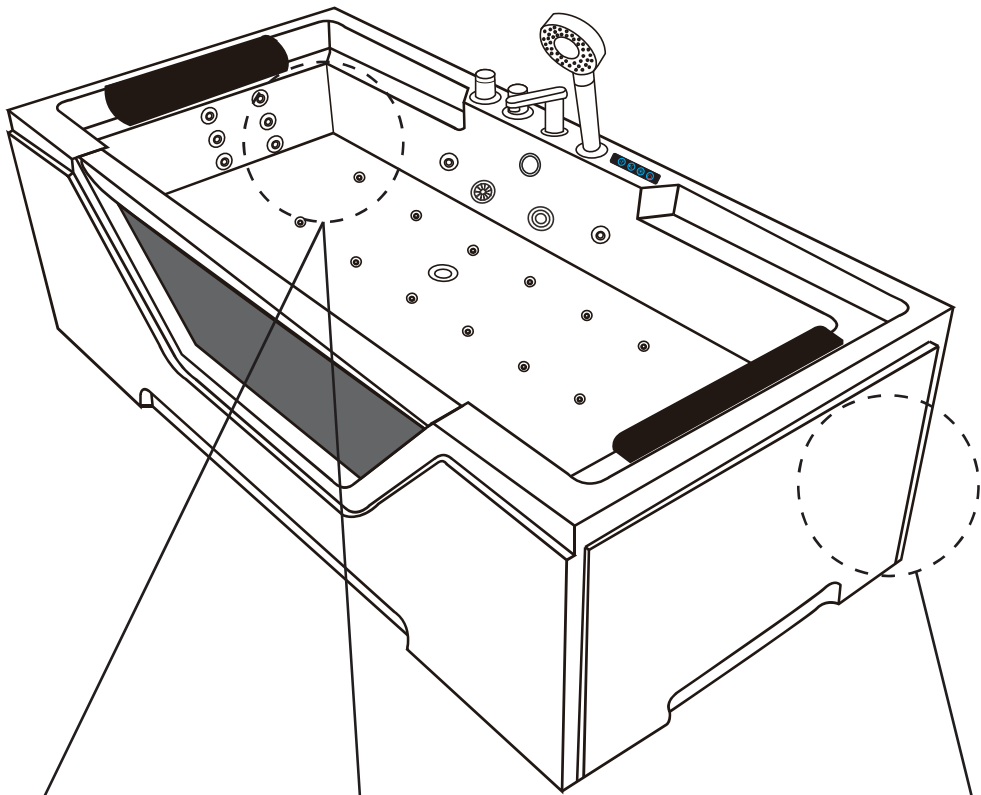
MODEL DXD-6E-350 220-240V 50HZ/60HZ 350W

S1 CLASS 155(F)

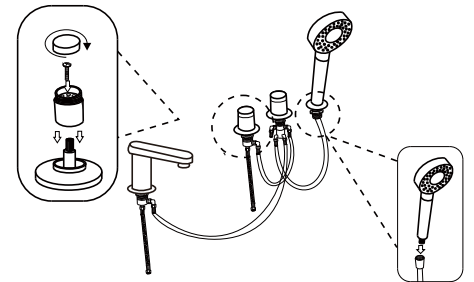
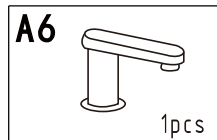
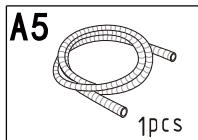
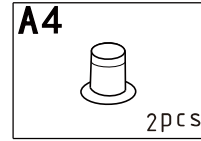
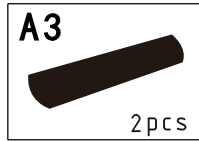
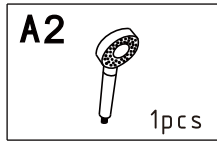
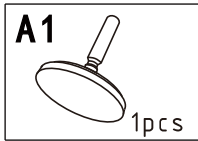
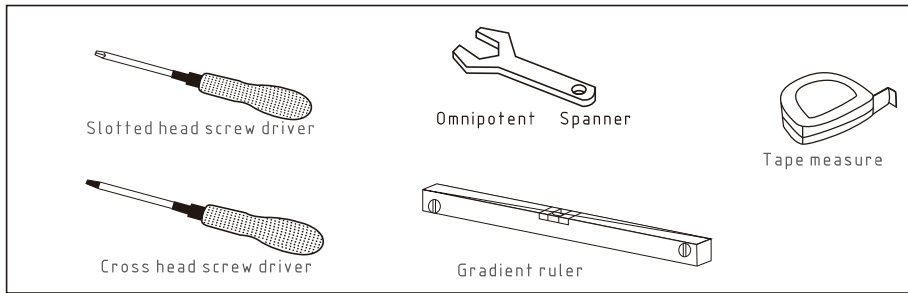
IP X5

BAR CODE:

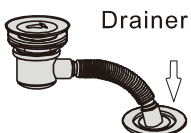
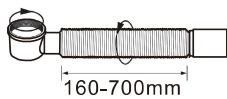
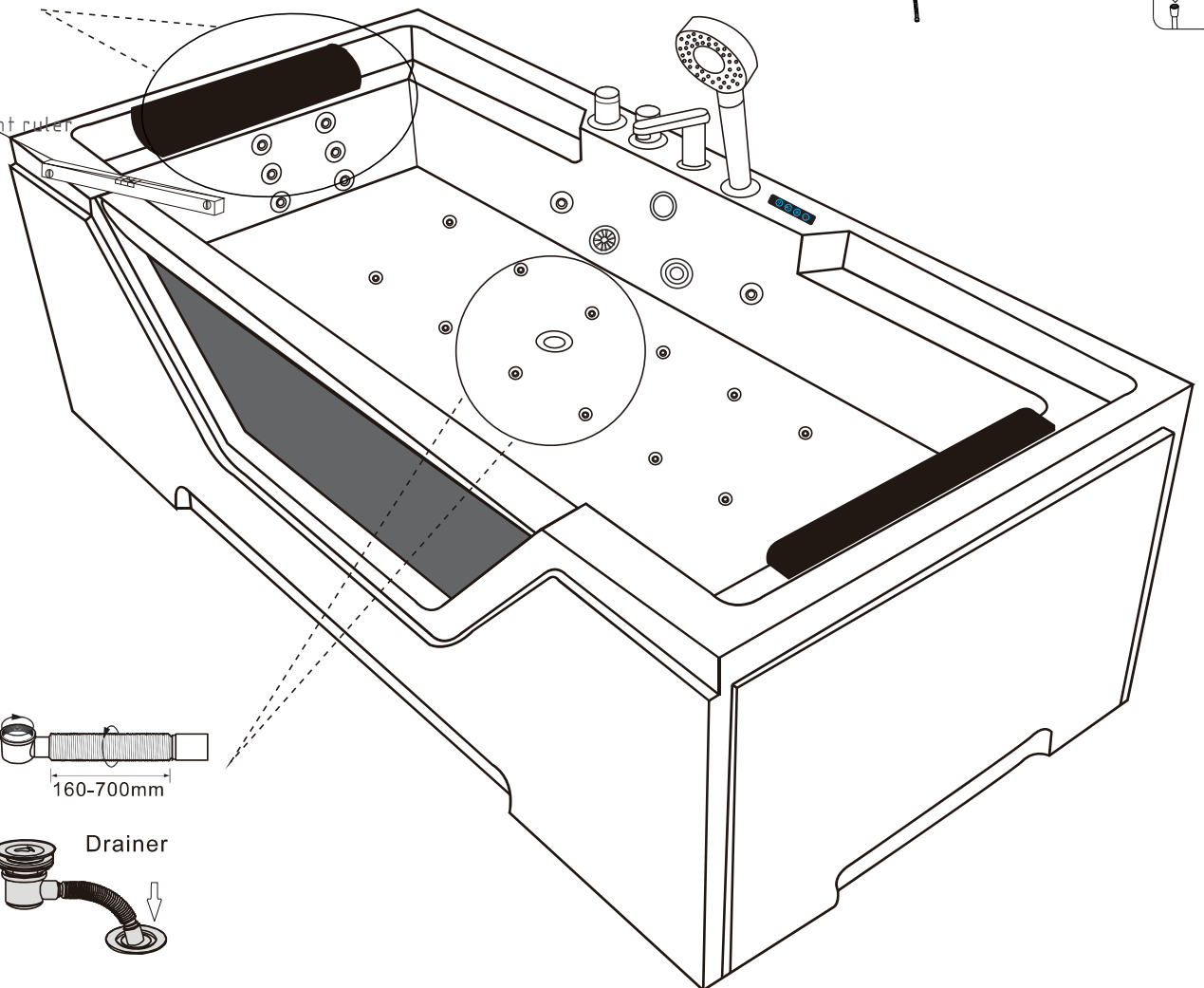
Pumps Position



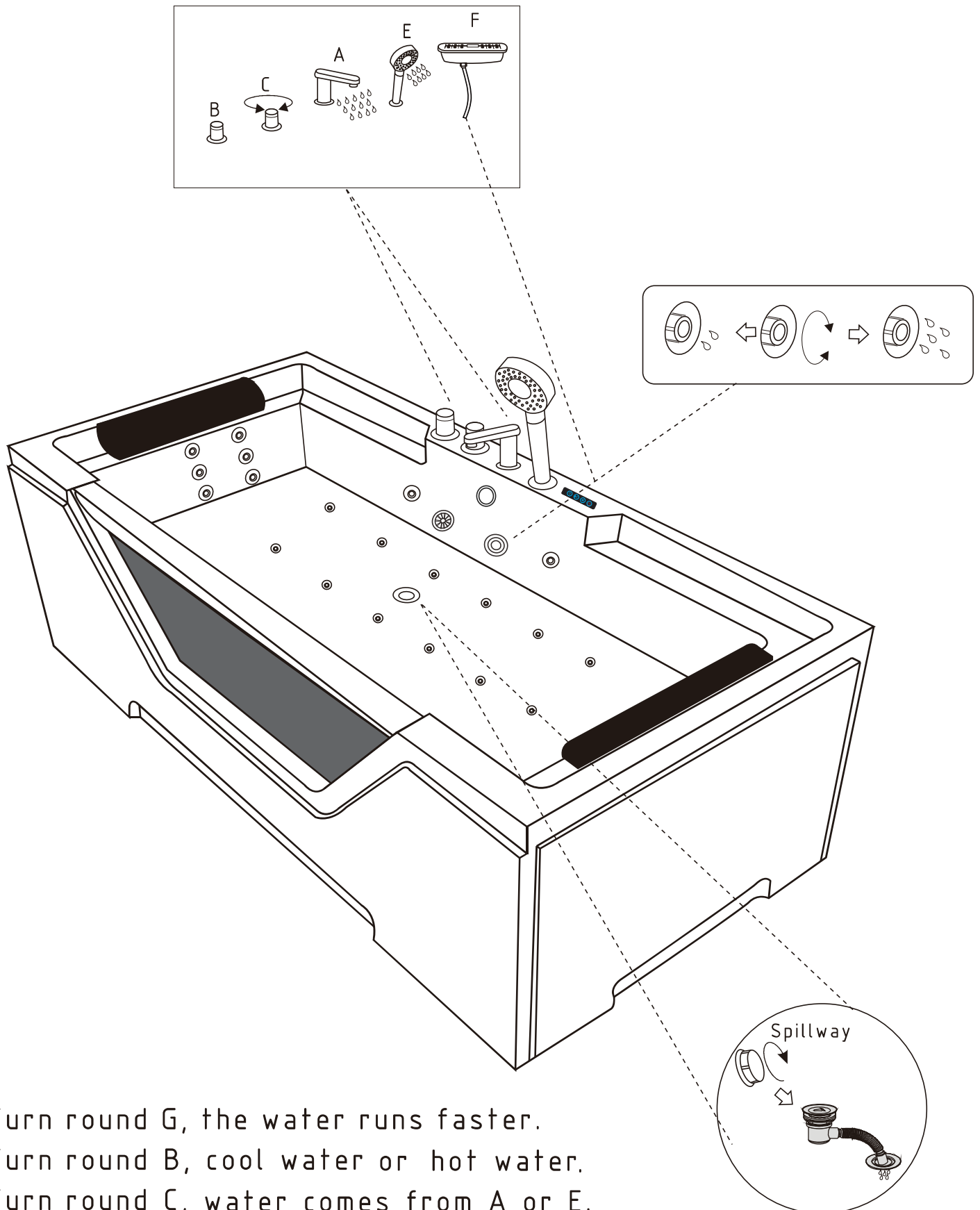
Accessories Installation



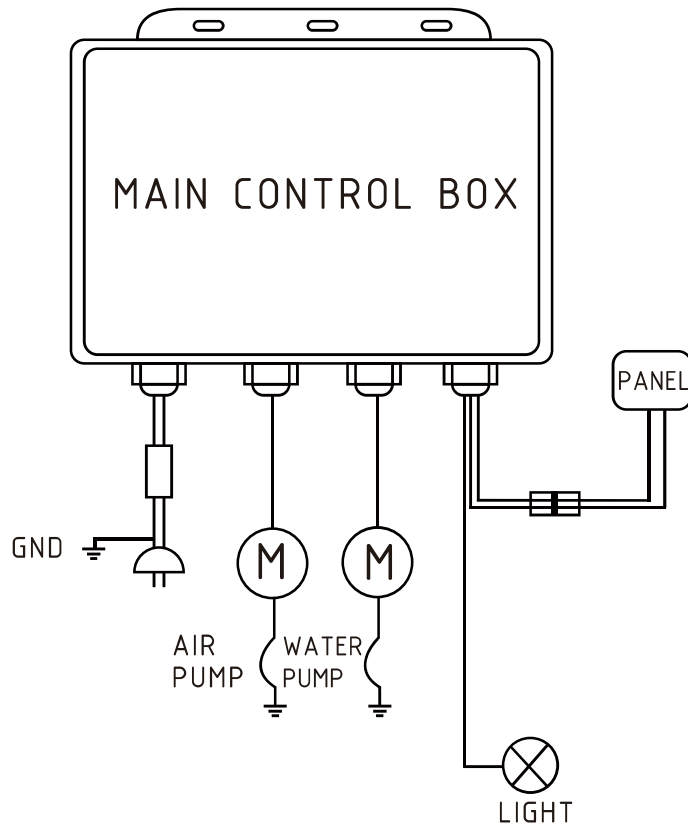
Gradient ruler



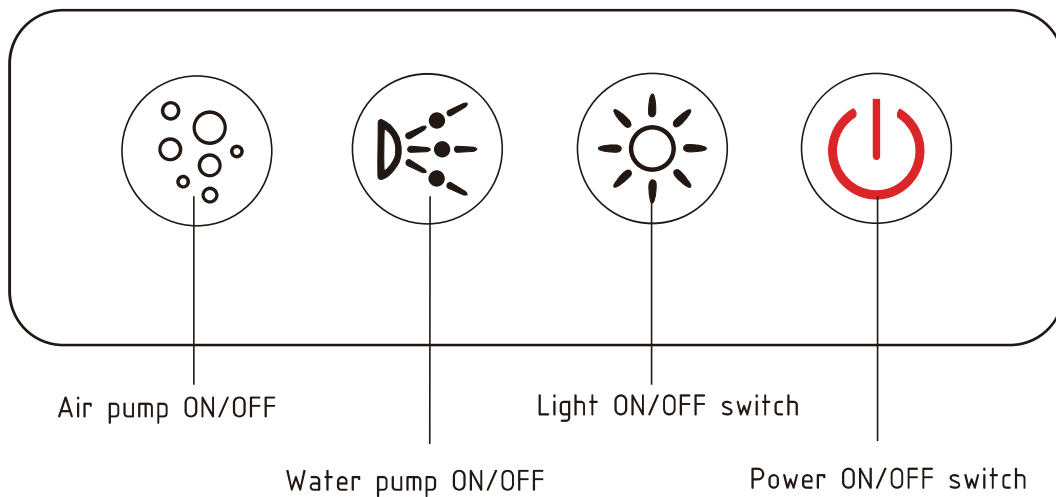
Functional Instructions



Turn round G, the water runs faster.
Turn round B, cool water or hot water.
Turn round C, water comes from A or E.



Schematic diagram of the panel



Operation instruction and direction

 Push down the switch, the controller is open, its status light is on, and other functions can be used only when power is ON.



Push down the button, the Water pump is on; repeat the operation, it is off.



Push down the button, the Air pump is on; repeat the operation, it is off.



Push down the button, the Light is on; repeat the operation, it is off.

Notice: their status lights are on when you press the button once, and their lights are off when the functions stop running. When there is no enough water, please don't open the function of water pump.

Run Environment

① POWER: AC220V ② pump/WIND PUMP: AC220V ③ LIGHT: AC12V

Notes of user

- ① Please read the instruction carefully when install the product, so that you can do it effectively in time.
- ② User should pay attention to the high-voltage on products marked signs, Not to touch their locations, ensure personal safety;
- ③ Don't expose the controller to the moist or high temperature environment to prevent fire or electric shock. Please towel the controller after using it.
- ④ Please keep water clean, no solid debris left. Otherwise, it will jam the backwater and the pipeline, resulting in damaging the equipment or fittings. If jam happened, please turn off the power to clean stems immediately, then restart it.
- ⑤ Please do not pull any of the output lines, not beat or throw the equipment at random, otherwise crusts or inner parts will be broken.

- ⑥ Don't open the cover of the controller for there are dangerous parts in allowed for maintenance it. Only qualified servicemen are allowed for maintenance.
- ⑦ The used power supply must be in line with the specified voltage value shown on the controller otherwise it is not allowed to be used even burns out the controller burns out the controller.
- ⑧ The intervals of continuous power on and off must be over 30s for extending the use life of the controller.
- ⑨ Please do not plug or pull the control panel with electricity, otherwise the devices will be damaged or unusual conditions will appear. At the moment, turn off the power in seconds, restart it.
- ⑩ Please insert fittings (such as: light, speaker, valve, ozone sterilization, water pump, wind pump, steam generator, etc.) into corresponding output ports of equipment correctly, otherwise they will be damaged in order to cause danger.

Solutions of basic problems

① Q: Why dose not water pump, run?

A: Firstly, Please check whether there is a equipment with water level, if so, please check whether the water sensor contact with water is good, if not, please stop using it, then you can contact with my company staff.

① Q: Press lights, ozone, speakers, fan, air-conditioning and other functions, but why don't they start to run?

A: First, check whether the plug-in terminals contacts with each other well; if lights and ozone sterilization still fails to run, please turn on the fuse and ensure if it has blew out, which cutoff the whole system and stop running.