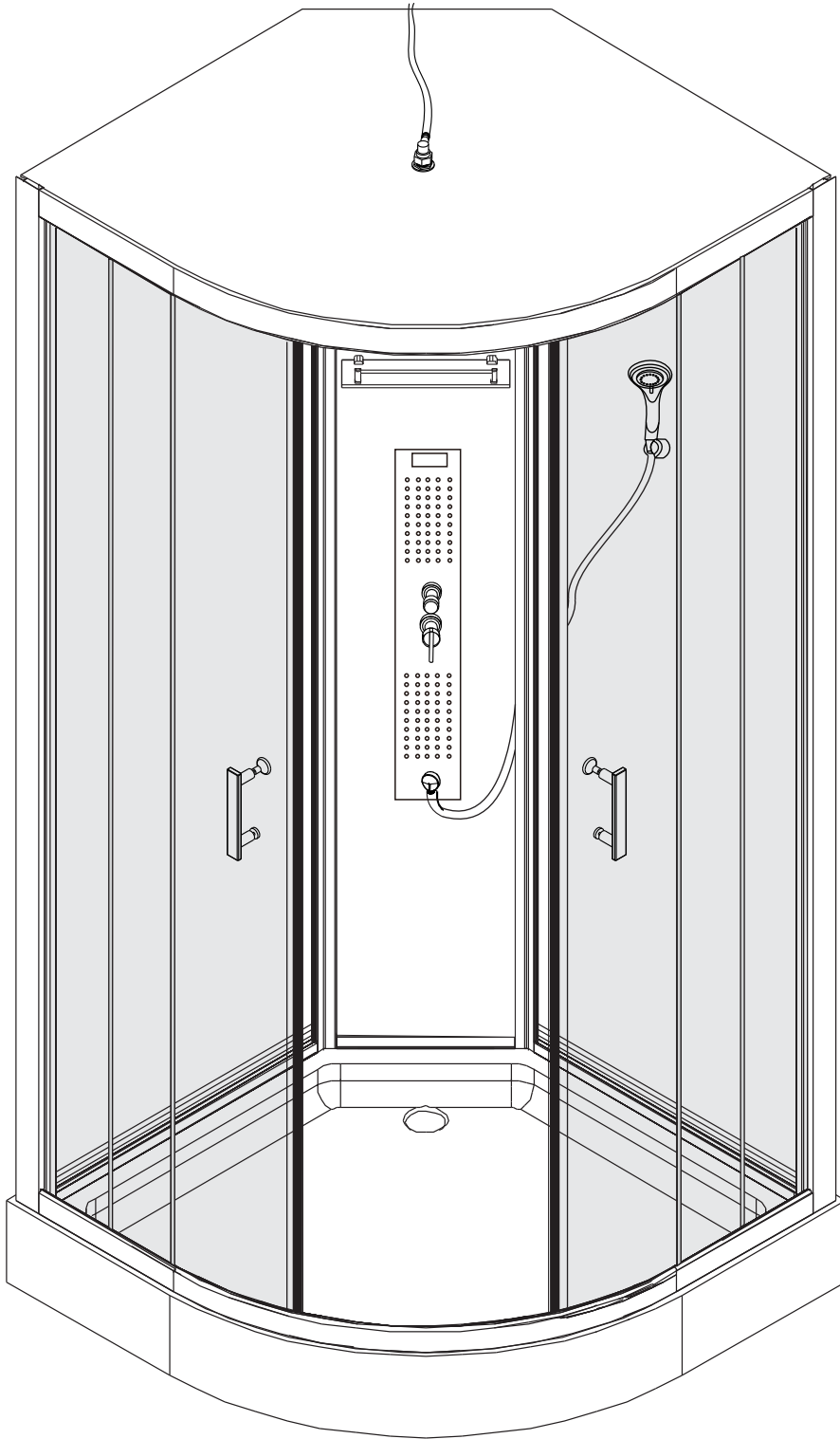
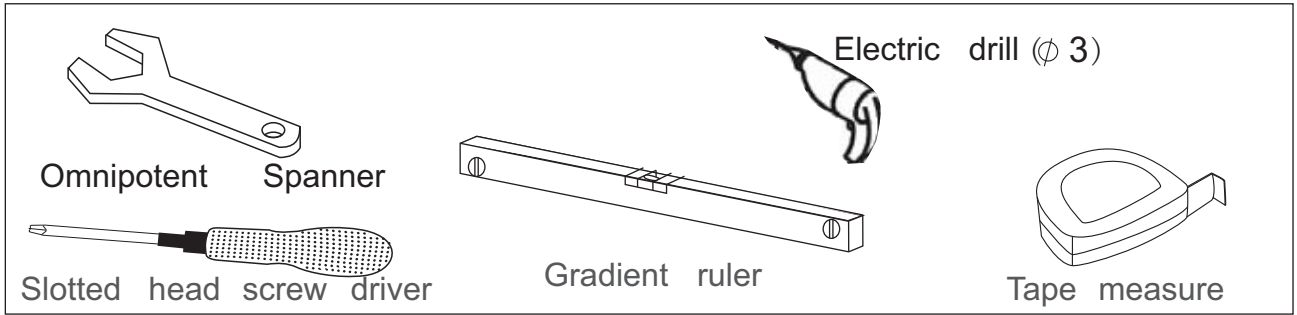


INSTALLATION MANUAL



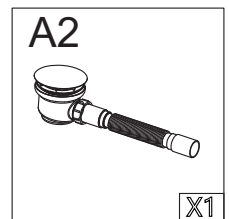
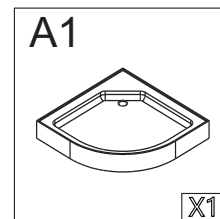
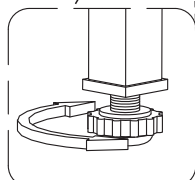
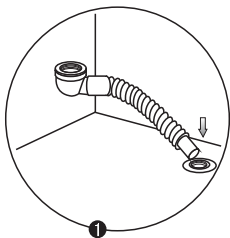
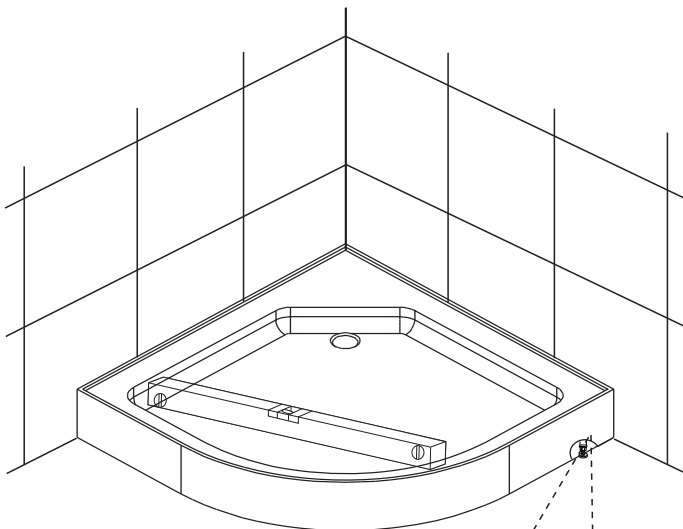
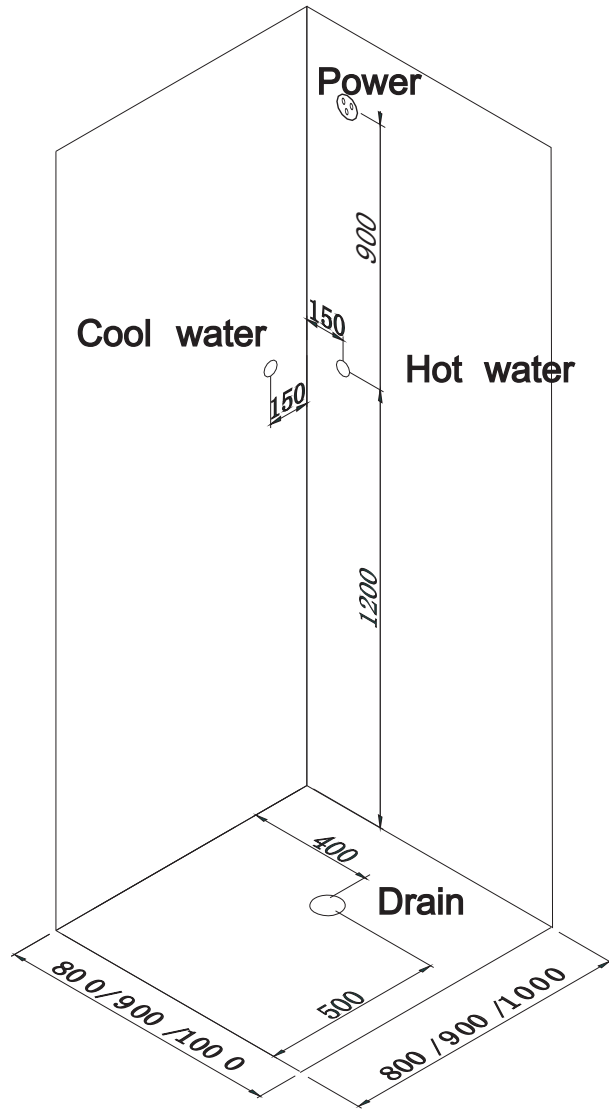
MA01

INSTALL TOOL



A1 X1	A2 X1	A3 X2	A4 X1	A5 ST4X25 X8	A6 X1
A7 X2	A8 X4	A9 ST4X12 X4	A10 X1	A11 X4	A12 X4
A13 X2	A14 X8	A15 ST4X12 X24	A16 X1	A18 X1	A33 ST4X10 X8
A19 X1	A20 X1	A21 X1	A22 X1	A23 X1	A24 ST4X25 X6
A29 X1	A32 X2				

WaterArrangementMap



Note:
 After the bottom basin is leveled up and down, the track follows the bottom basin and the top cover. There is deformation in radius size, corresponding to bend the lower rail to the top cover consistent with the bottom basin radius.

