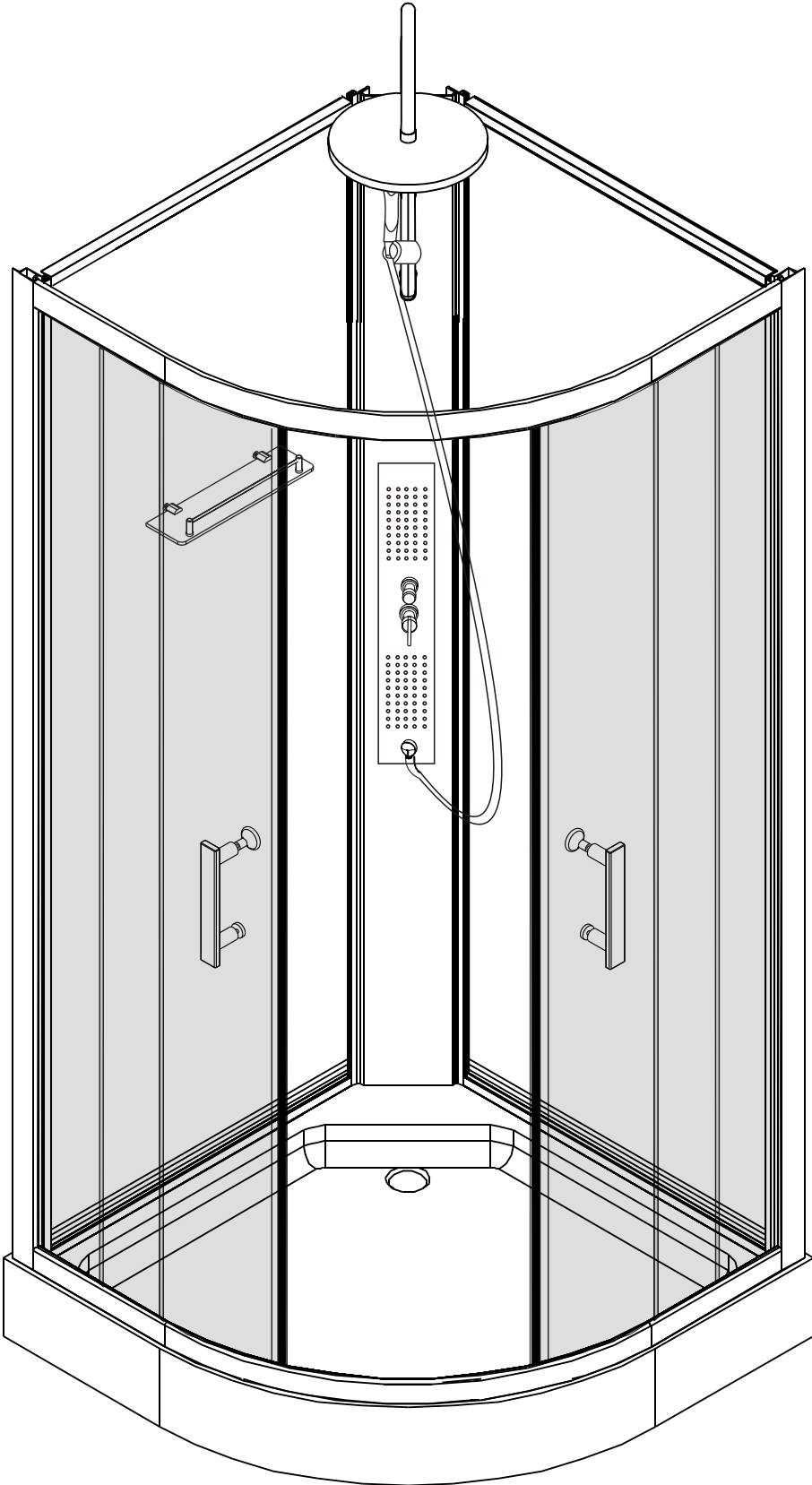


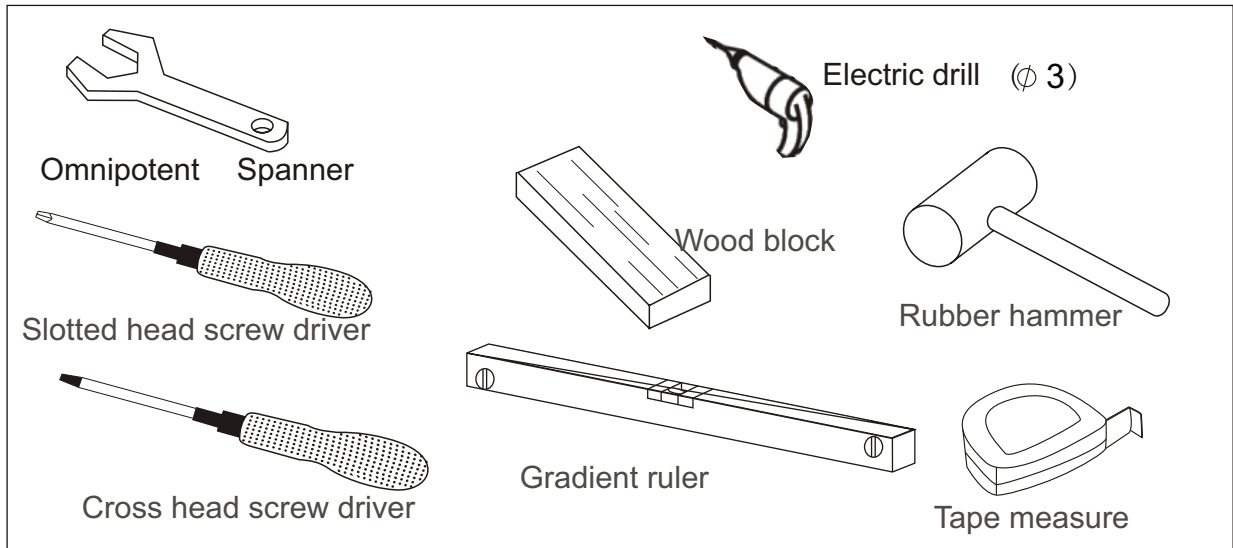
# INSTALLATION MANUAL

---

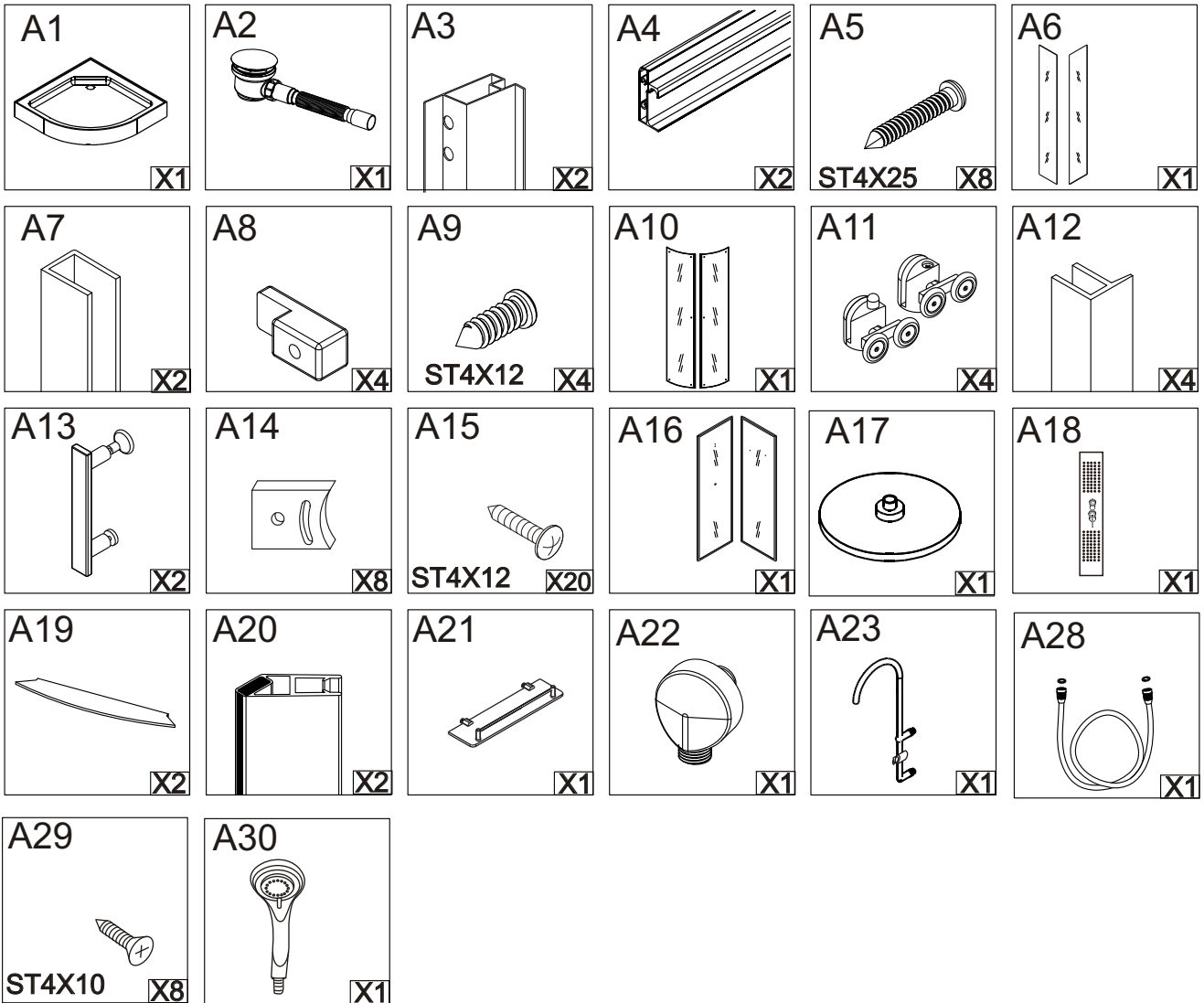


MA02 round

# INSTALL TOOL



# MATERIL DETAIL



# Water Arrangement Map

